

Ball valve threaded BSPP stainless steel

Stainless steel ball valves 2-piece lightweight design full bore

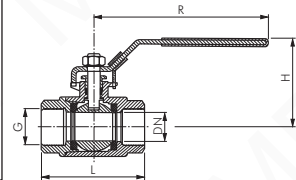
Materials:

Housing: 1.4408
Ball: 1.4408
Seal: PTFE (15% GF)
Handle: 1.4301

PN 63 (Eco-Line)

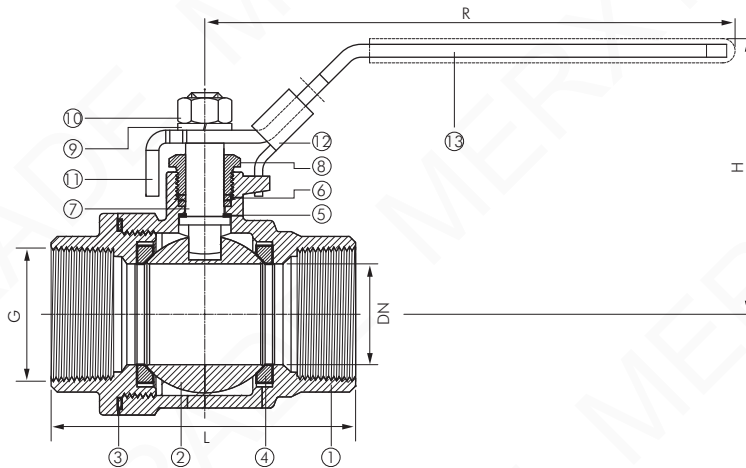
Temperature range: -20°C to max. +200°C
Thread female: BSPP (G)
Actuating: Lever with locking or butterfly, lever

Area of application: Water, steam, oil, compressed air, fuels, solvents, aggressive media



Typ	Typ	R	G	DN	L	H	PN
Standard lever	Butterfly lever						
101	63	63	G 1/4"	11,5	50,0	54	63 bar
101	63	63	G 3/8"	12,5	50,0	54	63 bar
101	63	63	G 1/2"	15,0	59,0	54	63 bar
124	68	68	G 3/4"	20,0	66,0	63	63 bar
124	68	68	G 1"	25,0	75,5	74	63 bar
165			G 1 1/4"	32,0	88,7	80	63 bar
165			G 1 1/2"	38,0	98,5	94	63 bar
183			G 2"	50,0	120,6	103	63 bar
248			G 2 1/2"	63,0	146,5	137	63 bar
248			G 3"	76,0	167,5	148	63 bar

Dimensions



Part	Material
1	Body 1.4408
2	Ball 1.4408
3	Body seal PTFE
4	Ball seat PTFE/RTFE
5	Stem gasket PTFE
6	Gasket PTFE
7	Stem 1.4401
8	Stem nut 1.4301
9	Ring 1.4301
10	Lever nut 1.4301
11	Lock 1.4301
12	Lever lock 1.4301
13	Sleeve PVC

pressure-temperature diagram

